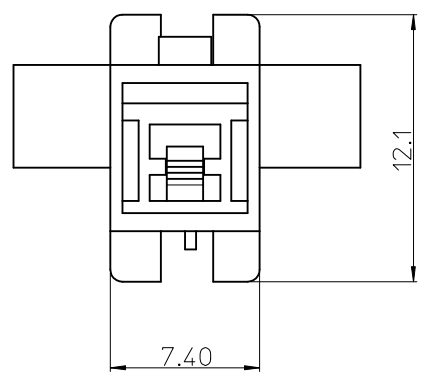
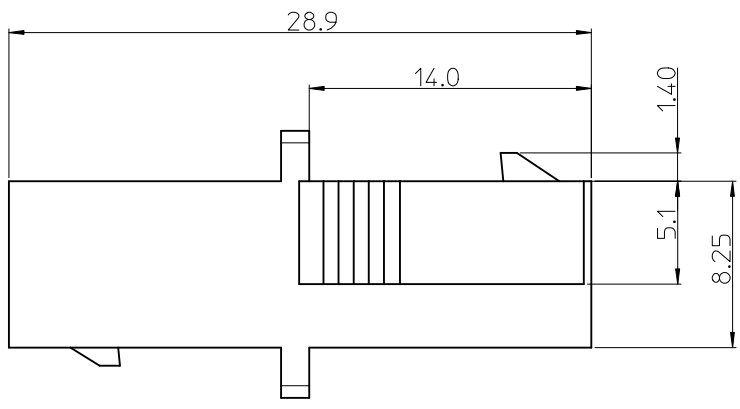


PANEL HOLE DIMENSION



NOTES.

- MATERIAL & COLOR :
 35150-0110 : NATURAL, PBT, UNFILLED, UL94V-0
 35150-0119 : NATURAL, PC/PET, UNFILLED, UL94V-0
- MATED HOUSING : 35151-0110
- APPLICABLE TERMINAL : 35745-0*10
- APPLICABLE TPA : 35182-019*

NEW RELEASE EC NO: KOR2011-0016 DRWN: JHPARK01 2010/08/06 CHKD: SHCHU 2010/08/06 APPR: YUNSIKKIM 2010/08/06	QUALITY SYMBOLS ▽=0 ◻=0	GENERAL TOLERANCES (UNLESS SPECIFIED)		DIMENSION STYLE	SCALE	DESIGN UNITS	THIRD ANGLE PROJECTION		
				MM ONLY	4/1	METRIC			
				DRAWN BY	DATE	TITLE			
				4 PLACES	± ---	± ---	070 W/W RECEPTACLE HSG-1P		
		3 PLACES	± ---	± ---	CHECKED BY	DATE	MOLEX INCORPORATED		
		2 PLACES	± ---	± ---	BK. CHOI				
		1 PLACE	± 0.3	± ---	APPROVED BY	DATE	SD-35150-0110		
		ANGULAR ± 1 °		CW. LEE		DOCUMENT NO.		SHEET NO.	
		DRAFT WHERE APPLICABLE MUST REMAIN WITHIN DIMENSIONS		SEE NOTE		SD-35150-0110		1 OF 1	
				SIZE	THIS DRAWING CONTAINS INFORMATION THAT IS PROPRIETARY TO MOLEX INCORPORATED AND SHOULD NOT BE USED WITHOUT WRITTEN PERMISSION				
				A3					