

THIS DRAWING IS UNPUBLISHED. RELEASED FOR PUBLICATION 20  
 © COPYRIGHT 20 BY TYCO ELECTRONICS CORPORATION. ALL INTERNATIONAL RIGHTS RESERVED.

LOC	DIST	REVISIONS					
CE	16	P	LTR	DESCRIPTION	DATE	DWN	APVD
		B		ECR 09-021710	12-8-09	LGE	FA

1 MATERIAL: THERMOPLASTIC ELASTOMER  
 ARNITEL PL460S  
 FLAMABILITY RATING: UL94V-0  
 COLOR : BLACK

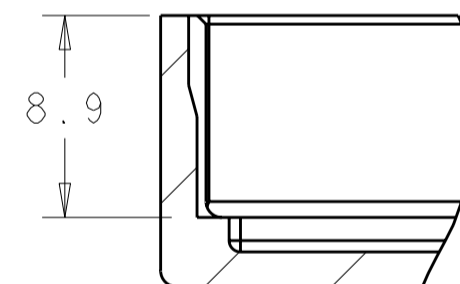
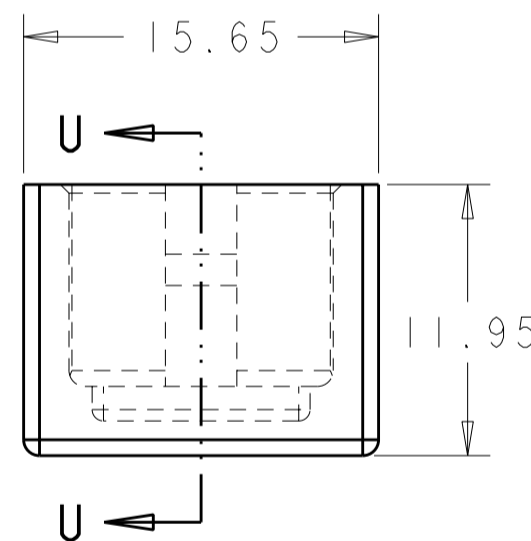
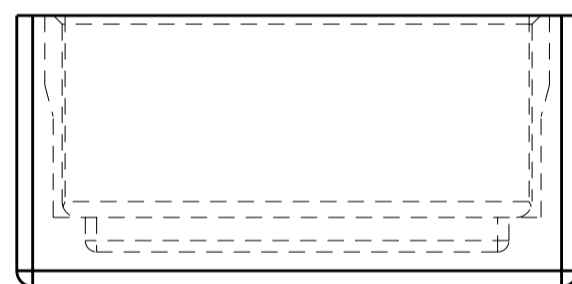
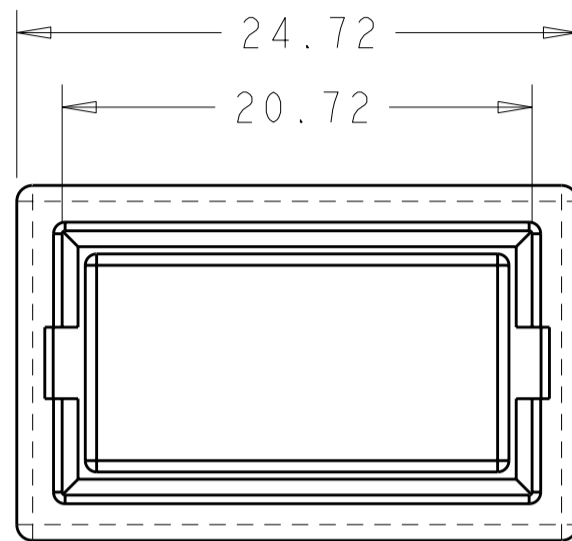
2 BULK PACKAGE 25 PCS.

3. RETENTION FORCE: 1/2 LB MIN.

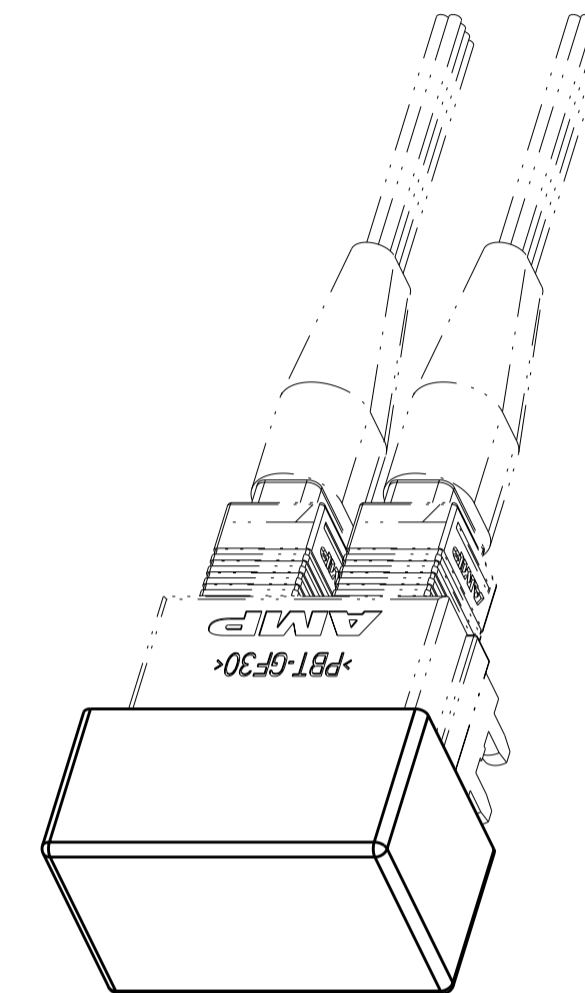
4 MATERIAL: THERMOPLASTIC ELASTOMER  
 ARNITEL PL460S  
 FLAMABILITY RATING: UL94V-0  
 COLOR: RED

5 MATERIAL: THERMOPLASTIC ELASTOMER  
 ARNITEL PL460S  
 FLAMABILITY RATING: UL94V-0  
 COLOR: GREEN

6 MATERIAL: THERMOPLASTIC ELASTOMER  
 ARNITEL PL460S  
 FLAMABILITY RATING: UL94V-0  
 COLOR: BLUE



SECTION U-U



SCALE 2:1

BLUE	1	1374674-8
GREEN	6	1374674-7
RED	5	1374674-6
BLACK	4	1374674-5
BLACK	1	1374674-1
COLOR	MATERIAL	PART NO

DIMENSIONS:		TOLERANCES UNLESS OTHERWISE SPECIFIED:		DWN		Tyco Electronics	
mm		0 PLC	±	22MAY2000	L	MORNINGSTAR	Tyco Electronics
		1 PLC	±0.2	22MAY2000	CHK	L BARKUS	Harrisburg, PA 17105-3608
		2 PLC	±0.13	22MAY2000	APVD	F ABENDSCHEIN	
		3 PLC	±		PRODUCT SPEC		NAME
		4 PLC	±		APPLICATION SPEC		SYSTEM CARD HOUSING, DUST COVER
		ANGLES	±		WEIGHT		IX2 VERTICAL, LIGHTRAY MPX
		FINISH			SCALE	3/1	RESTRICTED TO
MATERIAL					SIZE	A200779	
					CAGE CODE	C-1374674	
					DRAWING NO		
					REV	B	