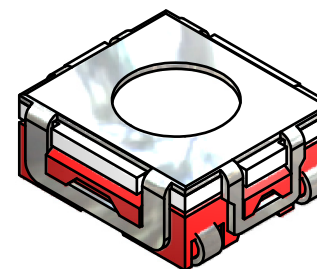
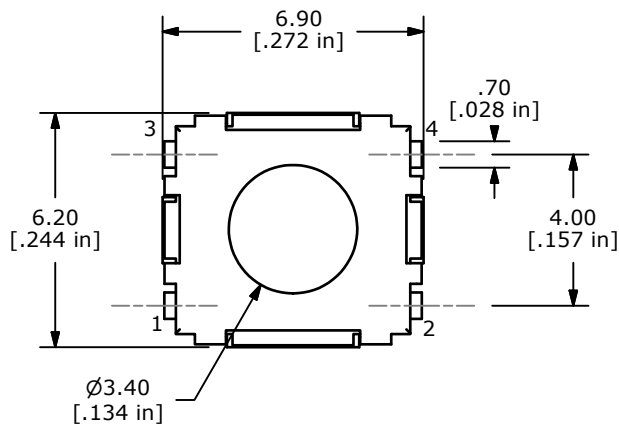
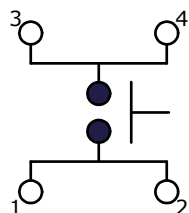


P.C.B. MOUNTING LAYOUT



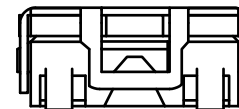
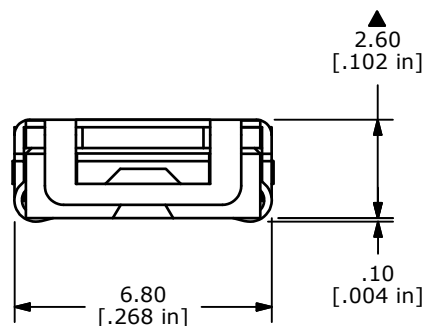
ISOMETRIC



CIRCUIT: SPST

NOTES:

1. GENERAL TOLERANCE: x.x ± 0.4  
x.xx ± 0.25
2. RATING: 50mA@12VDC
3. TRAVEL: 0.35±0.2mm
4. CONTACT RESISTANCE: 100m OHMS
5. LIFE CYCLES: 500,000 CYCLES
- ▲ 6. OPERATING FORCE: 160± 50gf
7. ▲ DENOTES CRITICAL PARAMETER
8. PACKAGE: TAPE AND REEL, 1900 PIECES PER REEL
9. 2002/95/EC (ROHS) COMPLIANT
- ▲10. CONTACT MATERIAL: SILVER



B

B	20290	CORRECT LIFE NOTE	11/17/11	BMA
A	16658	RELEASED FOR PRODUCTION	11/14/2006	TN
REV	PCR NO	DESCRIPTION	DATE	BY
<small>THE INFORMATION CONTAINED IN THIS DOCUMENT IS PROPRIETARY TO E-SWITCH AND IS NOT TO BE COPIED OR TRANSFERRED</small>				
TITLE		TL6700NF160QJ		
SCALE	DATE	DR	DWG	REV
5:1	11/14/2006	TN	P010464	B